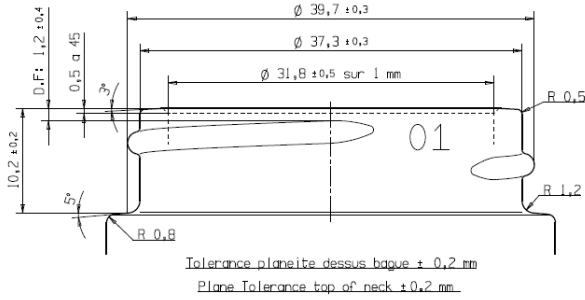


*Detail bague . Ech : 3/1  
Neck finish detail . Scale : 3/1*

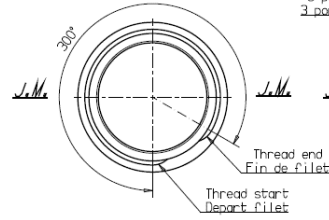


*Detail filet . Ech 5/1  
Thread detail . Scale : 5/1*

1 thread, right side  
Pitch 4,25 mm on  $300^\circ$   
Thread start at  $90^\circ$  from P.L.  
Thread depressed on P.L. 0,2 mm  
1 filet au pas a droite  
de 4,25 mm sur  $300^\circ$   
Depart filet a  $90^\circ$  du J.M.  
Depression filet sur J.M. 0,2 mm

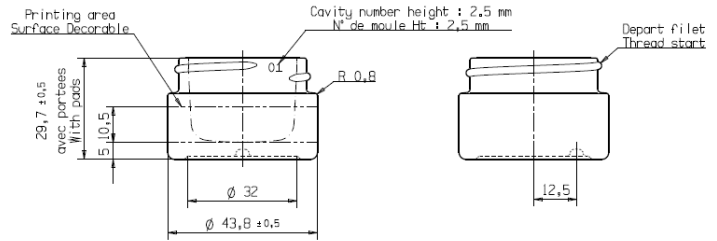
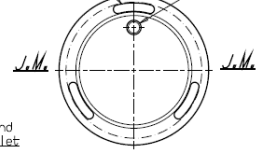


*Top View*



*Bottom view*

Thread start  
3 pads at  $120^\circ$   
3 portees a  $120^\circ$   
1 plot  $\varnothing 4,2$   
cote depart filet  
1  $\varnothing 4,2$  lug  
Side thread start



*Detail plots de decor . Ech 3/1  
Deco lugs detail . Scale : 3/1*

